



**John
BOOS**
Since 1887

ITEM #: _____ QTY: _____
 MODEL #: _____
 PROJECT NAME: _____

051519

3601 S. Banker St. Effingham, IL 62401 • P.O. BOX 609 • Ph: (888) 431-2667 • Fax: (800) 433-2667

"FBLGR5" STAINLESS STEEL TOP WORK TABLES



18GA TOP W/5" REAR RISER AND GALV LEGS AND ADJUSTABLE UNDERSHELF
BUDGET E-SERIES

FEATURES:

- 18 GAUGE STAINLESS STEEL TOP
W/5" REAR RISER & TURNDOWN
- TYPE 430 STAINLESS STEEL WITH SATIN FINISH
- TOP IS SOUND DEADENED
- REINFORCED WITH 1"X2" CHANNEL RUNNING ENTIRE LENGTH OF TABLE
- 1-1/2" STALLION EDGE ON FRONT SIDE EDGES
90° BEND DOWN FOR TABLE LINE-UP
- GALVANIZED BASE AND ADJUSTABLE UNDERSHELF
- ADJUSTABLE BULLET FEET
- SHIPPED KNOCKED-DOWN, EASY-TO-ASSEMBLE
- NSF AND CSA CERTIFIED



FBLGR54830

CONSTRUCTION:

- TOP: STAINLESS STEEL TOPS ARE TIG WELDED, EXPOSED WELDS ARE POLISHED TO MATCH ADJACENT SURFACE.

MATERIAL:

- TOP: 18 GAUGE STAINLESS STEEL TYPE 430 STAINLESS STEEL MECHANICALLY POLISHED WITH SATIN FINISH
- SHELF: 18 GAUGE GALVANIZED STEEL
- LEGS: 1-5/8" ROUND O.D. 16 GAUGE TUBULAR GALVANIZED STEEL
- GUSSETS: GALVANIZED STEEL
- FEET: 1" ADJUSTABLE PLASTIC BULLET FEET

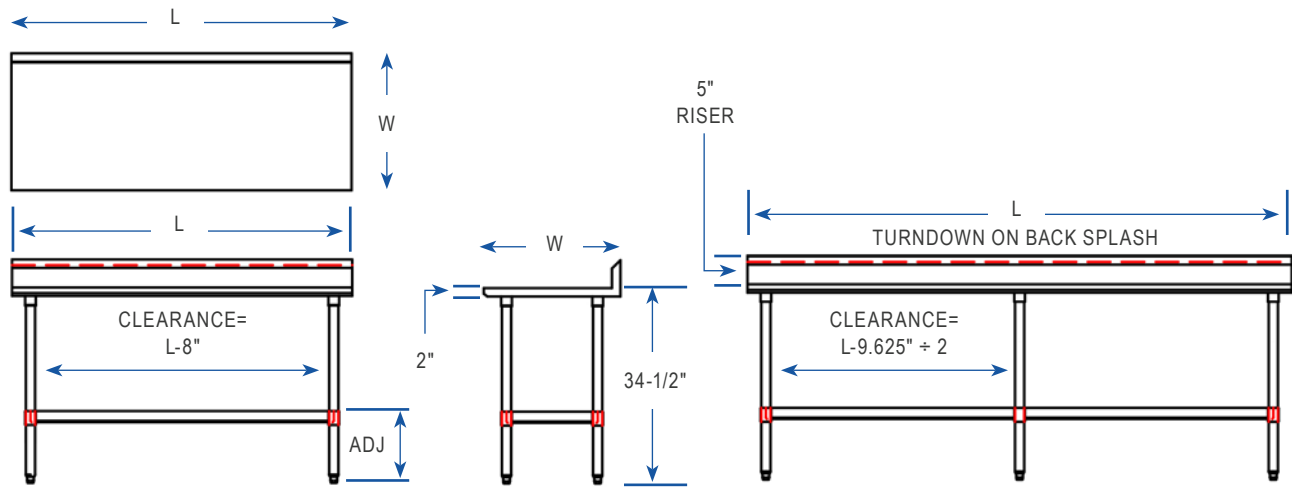


ADJUSTABLE SHELF

18 GAUGE TOP W/ ADJUSTABLE UNDERSHELF

24" WIDE	QTY	30" WIDE	QTY
FBLGR5-2424		-	
FBLGR5-3024		FBLGR5-3030	
FBLGR5-3624		FBLGR5-3630	
FBLGR5-4824		FBLGR5-4830	
FBLGR5-6024		FBLGR5-6030	
FBLGR5-7224		FBLGR5-7230	
FBLGR5-8424		FBLGR5-8430	
FBLGR5-9624		FBLGR5-9630	

DETAILED SPECIFICATIONS



- UNITS 7 FT. AND LARGER ARE FURNISHED WITH SIX LEGS.
- FINISHED SIZE OF UNDERSHELF.
 $\text{SHELF LENGTH} = \text{LENGTH MINUS } 4.875"$
 $\text{SHELF WIDTH} = \text{WIDTH MINUS } 4.25"$

18 GAUGE TOP W/ ADJUSTABLE UNDERSHELF

LENGTH	24" WIDE	WT. (LBS)	30" WIDE	WT. (LBS)
24"	FBLGR5-2424	40	-	-
30"	FBLGR5-3024	45	FBLGR5-3030	50
36"	FBLGR5-3624	50	FBLGR5-3630	56
48"	FBLGR5-4824	61	FBLGR5-4830	69
60"	FBLGR5-6024	71	FBLGR5-6030	82
72"	FBLGR5-7224	83	FBLGR5-7230	94
84"	FBLGR5-8424	103	FBLGR5-8430	126
96"	FBLGR5-9624	111	FBLGR5-9630	128

SOME UNITS SHIP UNASSEMBLED FOR REDUCED SHIPPING COST. ALL DIMENSIONS ARE TYPICAL. TOLERANCE +/- .500"
 John Boos & Co. is constantly engaged in a program of improving products and therefore reserves the right to change specifications without prior notice.

